

026-746-6015:

746 Series AC Right Angle PSC 115/230V



026-746-6015:

QUICK SPECS

Input HP	1/15	Voltage (V)	115/230
Amps	1.2/.63	Torque (in-lbs)	28
OHL	224	Approx Weight	10
Stages	1	Ratio:1	15.5
Voltage	115/230	Speed (RPM)	105/90

Specifications

Voltage (V)	115/230
-------------	---------

Input HP	1/15
----------	------

Torque (in-lbs)	28
-----------------	----

OHL	224
-----	-----

Ratio:1	15.5
---------	------

Stages	1
--------	---

Voltage	115/230
---------	---------

Input Watts	62
-------------	----

CE	No
----	----

CSA	No
-----	----

ROHS	Yes
------	-----

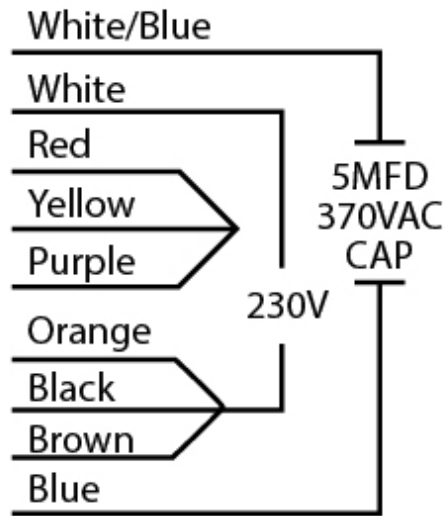
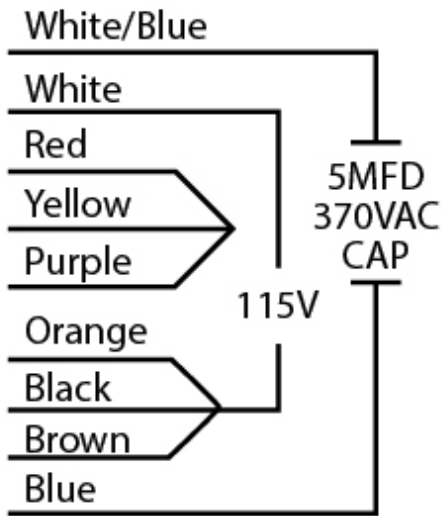
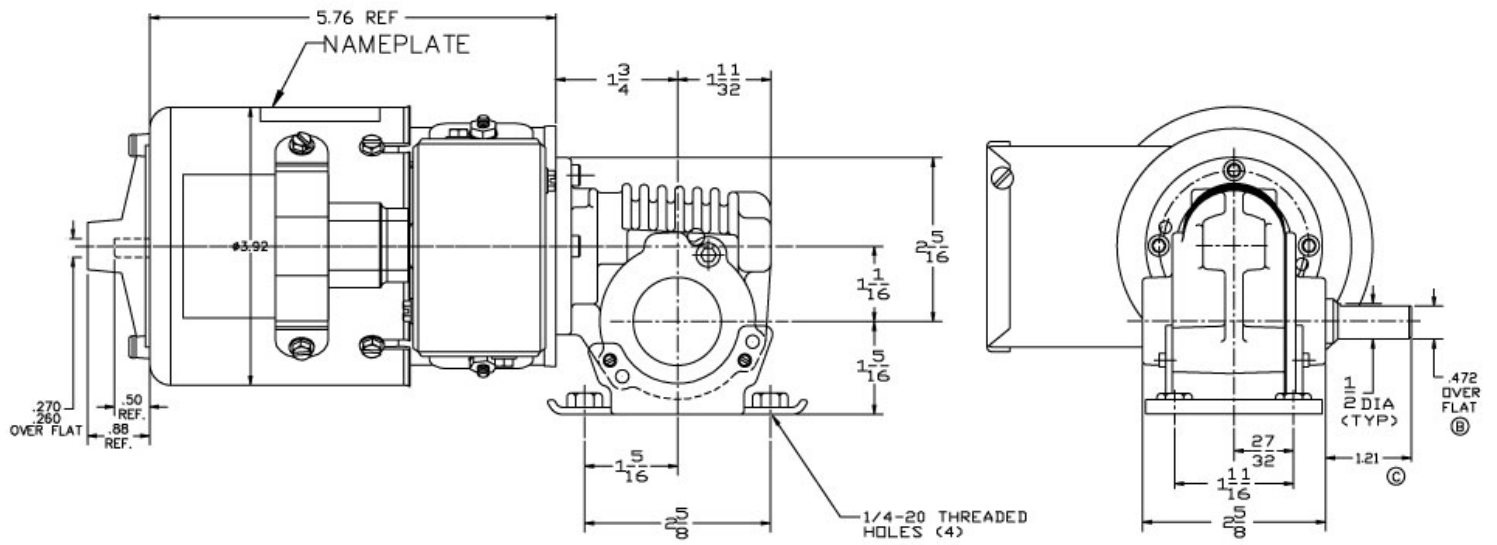
CuRus	No
-------	----

IP Rating	IP43
-----------	------

Insulation Class	B4
------------------	----

Duty Cycle	Continuous
------------	------------

Schematics / Wiring Diagrams



To reverse rotation interchange red and brown leads.